

WOOD CHIPS



Northwest Indiana Woodworkers Association

Volume 24, Issue 6 June 2019

President's Ramblings

Greetings Fellow Woodworkers, Happy Father's Day to all of the Dad's, Grandfather's and Great Grandfathers. We are so close to July and all the celebrations for the 4th. Be safe and don't let your mind wonder while in the work shop. Mark your calendars for the upcoming 35th annual South Lake County Historical Society Antique Tractor Show July 12th, 13th and 14th. Setup is Thursday the 6th till 5 P.M. Gates open at 8 A.M., opening ceremonies start at 9 A.M. and Operational Exhibits & Activities 10 A.M. to 5 P.M. Check their web site for more information at <http://www.slcahs.org>. We will be located in the Arts and Crafts building (Same place as the Lake County Fair) but along the north wall. We need members to help make this a success, if you are planning on attending we are to use gate #6 (same as fair for setup) and show your membership card. The goal for this event is to advance our club in the community, gain more members and sell more EDUCATIONAL RAFFLE TICKETS. Jon Robins has thrown out a challenge to make something of yours to donate and sell at the booth for our Education Fund. We will have at least two tables for displaying your best creations for display and Jon will have a rack for wall hanging pieces. **We need YOU to make this show a success.** I will have my lathe setup and anyone is welcome to turn a pen or learn how to turn a pen. We will have the Slim line kits available for anyone who wants to participate. Also a sign up sheet will be at the next meeting for those that can attend and help man the booth.

Sorry to report, we have lost member Leon J. Dourlet, 82, of Valparaiso, IN, passed away from a recently diagnosed cancer on Wednesday, June 5, 2019, at his home, surrounded by his loving wife and six children. Married to his beloved wife Peggy on January 9, 1960, he was the father of seven, grandfather of nineteen, and great-grandfather of four.



Leon Dourlet

June's Program is Tom Bradly of Rockler Orland Park, Illinois

Check your membership card! You will need a current membership card for the Tractor show.

Time to start planning for the Lake County Fair! The deadline is fast approaching to enter your items in the fair competition to be judged.

Raffle Tickets, be sure to see Ron Benson and purchase yours now and take some to sell to your friends and family. I have been doing a lot of reciprocating with coworkers and their children's tickets at work.

Enjoy this weather and Don't let your tools rust!

Your President, Kevin Sturgeon

From the Treasurer

Fellow wood workers; This is a reminder that club dues of \$25.00 is due for the new year. Please pay at the next club meeting or send to; Ron Benson, 3067 Randolph St., Portage, Indiana, 46368. Also club raffle tickets are available to buy or sell so that our club has enough funds for our toy program, picnic, Christmas party, and many other events coming up. So far only \$190.00 has been collected to date. Ron Treasurer

SHOW AND TELL



Ken Woolard



Frank Schmidt



Norm Johnson



Steve Bennett



Steve Bennett



Seth Bennett



Mike Schienle



Kevin Sturgeon



Max Hernick



Julie Sturgeon



Kevin & Julie Sturgeon



Jon Robbins



Dave Skaggs



Dick Sader

CHICAGO SCHOOL OF WOODWORKING



ITEMS FOR SALE

If you have any wood working related items that you wish to sell through the newsletter please contact John Hunter john.b.hunter@frontier.com Include a description and the price you are selling them for, also how you may be contacted.

If you are looking for a tool that another member would like to sell you can place a wanted ad in the newsletter, just contact John Hunter at john.b.hunter@frontier.com

2019

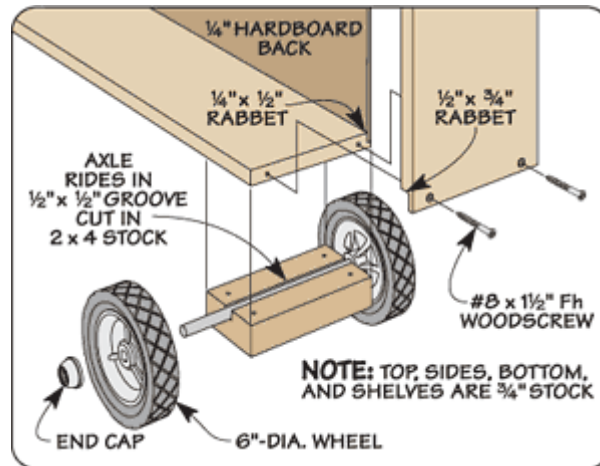
June 27th Membership Meeting at 208 South Linda Street, Hobart IN 7:00 PM
July 1st Executive Board Meeting 7 PM at 2949 Willowcreek Rd, Portage
July 13th – 14th Club Booth at the Steam Show at Lake County Fair Grounds
July 15th Committees Meeting at 2949 Willowcreek Rd, Portage 7:00 PM
July 25th Membership Meeting at 208 South Linda Street, Hobart IN 6:00 PM
August 1st Set Up Club Booth at Lake County Fair 9 PM
August 2nd – 5th Club Booth at Lake County Fair 10 AM – 10 PM
August 19th Committees Meeting at 2949 Willowcreek Rd, Portage 7:00 PM
August 22nd Membership Meeting at 208 South Linda Street, Hobart IN 7:00 PM
August 24th Club Picnic at Hidden Lake Park in Merrillville
September 16th Committees Meeting at 2949 Willowcreek Rd, Portage 7:00 PM
September 26th Membership Meeting at 208 South Linda Street, Hobart IN 7:00 PM
PM Program Favorite/Least Favorite tools
October 7th Executive Board Meeting at 7 PM at 2949 Willowcreek Rd, Portage
October 21st Committees Meeting at 2949 Willowcreek Rd, Portage 7:00 PM
October 24th Membership Meeting at 208 South Linda Street, Hobart IN 7:00 PM
November 11th Committees Meeting at 2949 Willowcreek Rd, Portage 7:00 PM
November 21st Membership Meeting at 208 South Linda Street, Hobart IN 7:00 PM
PM Toy Program
December 16th Committees Meeting at 2949 Willowcreek Rd, Portage 7:00 PM
December 19th Membership Meeting at 208 South Linda Street, Hobart IN 6:00 PM
PM Christmas Party, Installation and Awards

Pull-Out Storage Case



I never seem to have enough storage space in my shop. This is especially the case when it comes to screws, fasteners, and other odds and ends. Things I need close at hand, but don't use every day.

So, to store these and other small items, I built a pull-out storage case, like you see in the photo at right. The case is large enough to hold a couple of small plastic storage cabinets with lots of drawers (the kind you find at hardware stores and home centers). I also added a few shelves to store other items.



Since I wanted to be able to move the case, I placed it on wheels (see drawing at right). A handle attached to the side lets me simply pull it out to get to the items I need and then push it back out of the way again.

The case fits nicely against the wall next to my workbench. It worked so well that I built a couple more cases and rolled them next to one another. Now I have lots of storage in a space that would have gone to waste.

Good Woodworking, Phil Huber, Online Editor, *ShopNotes*

Bob Flexner's Finishing Tips

<http://www.thefinishingstore.com/>

Use Wood Shavings To Remove Stripper Gunk

Almost all old furniture is finished with either shellac or lacquer (shellac until the 1920s, lacquer since). Both of these finishes dissolve into a messy "gunk" when paint stripper is applied. On complex surfaces, such as turnings and carvings, an easy way to remove the gunk is to wipe it off with handfuls of wood shavings from a jointer or planer.

The shavings soak up the gunk and you can remove them easily with a stiff bristle brush.

If you don't have a planer or jointer of your own, you may be able to find the shavings at a local woodworking or cabinet shop.