

WOOD CHIPS



Northwest Indiana Woodworkers Association

Volume 20, Issue 6 June 2016

President's Ramblings

Greetings Fellow Woodworkers, June is here and so is the heat. Please be aware of your surroundings and keep yourselves hydrated as the temperature rises. Sunstroke, heat cramps, and heat exhaustion are possible. Heat Cramps Symptoms- Muscle spasms, usually in the arms, legs, and stomach, caused by heavy sweating and loss of electrolytes. Response- Drinking electrolyte solutions such as Gatorade and eating fruits such as bananas.

This past month has been very busy for me, We had the field trip to Marc Adams School of Woodworking on Tuesday May 24th. We meet up in the cabinet making room where the wife and I attended a week long intarsia class with Kathy Wise. We did a self guided tour of the school. In the turning room, they have added two One way sit down lathes to the collection of lathes, very impressive. On Tuesdays Marc puts on a cookout followed by a sideshow presentation by the instructors that are teaching that week which is open to the public. During the slide show Marc recognized our club members and thanked them for traveling so far to visit his school. Marc gave a tribute to Lou Tackus for his accomplishments in woodworking, and leader of our club, and how we are carrying on his legacy. Kathy Wise was the first to present her videos. Kathy has won 5 first place awards from 2006-2011 and people's choice award in 2011 at Design in Wood Show, San Diego CA. She has also authored three books on Intarsia. Next was Steve Latta, he talked about the students he teaches at Thaddeus Stevens College of Technology and Millersville University in Lancaster, PA. He is also a contributing editor for Fine Woodworking Magazine. His show consisted of how his students find employment in their field woodworking with almost 100% placement. Many great photos of fine furniture from him and his students. One thing that stood out was his best student he teaches is one that has achieved Eagle Scout. Last was Michael Hosaluk, he was teaching creative woodturning. Michael is noted as one of the most creative wood turner in the world. He has produced some of the most abstract pieces of art from turnings. The Staff at MASW was very friendly and answered any and all questions, couldn't have asked for

a better experience. Final thought, my highlight was the ice cream machine.

Lake County Fair setup is August 4th at 9 PM and the Booth opens at 10 AM to 10 PM from August 5th through the 8th and take down will be at 9 PM on the 8th. Start thinking of what you want to display. Everyone is welcome to come and spend some time at the booth. Make sure you sign in at these events so you get the credit towards the Achievement Awards. Sign up sheets will be available.

August 27th is the Annual Picnic at Hidden Lake Park starting at noon.

We will need a couple of volunteers to help unload the library cabinet. I would like to address this problem the weekend after our regular club meeting. I have found a volunteer to do the repairs but we need some help with Totes or Boxes to store the books and videos in until repairs are made.

The 32nd Annual Southlake Farm & Tractor Show is July 7-10. Do we want to set up a booth to display our skills and sell educational tickets?

Enjoy this weather and Don't let your tools rust!

Your President,

Kevin Sturgeon

SHOW AND TELL



R.J. Jarecki



Denny McCoole



Jon Robbins



Phil Malavolta



Rodney Foster



Ken Woolard



Ken Garbe



Fred Bogwill



Mike Clark

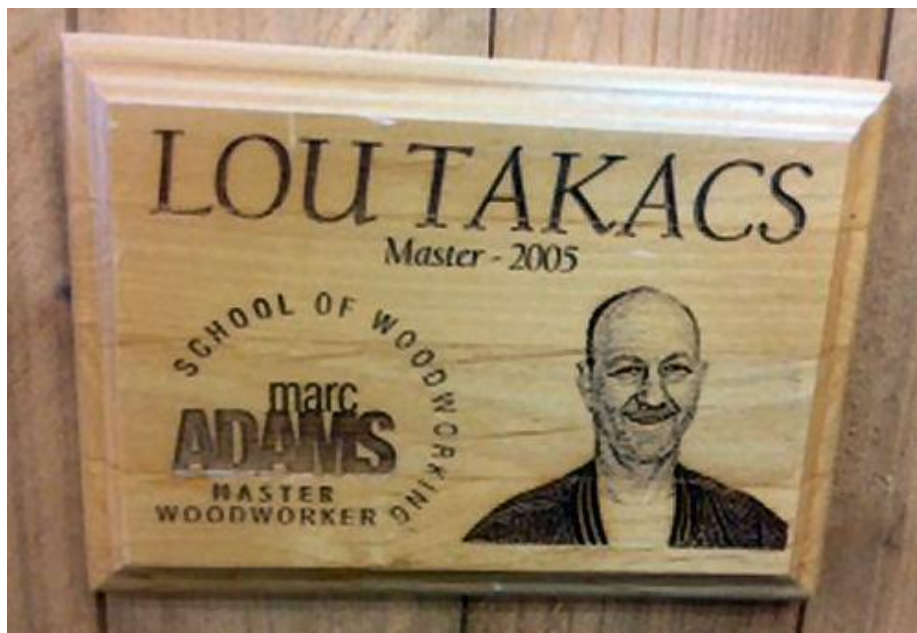
PROGRAM



Jon Robbins demonstrating attaching and removing paper templates from wood



MARC ADAM'S FIELD TRIP



NIWA Past president Lou Takacs plaque at the Marc Adams School.

ITEMS FOR SALE

If you have any wood working related items that you wish to sell through the newsletter please contact John Hunter john.b.hunter@frontier.com Include a description and the price you are selling them for, also how you may be contacted.

If you are looking for a tool that another member would like to sell you can place a wanted ad in the newsletter, just contact John Hunter at john.b.hunter@frontier.com

CALENDAR OF EVENTS

2016

- June 23rd Membership Meeting at 208 South Linda Street, Hobart IN 7:00 PM
Chris O'connor from Freud on Freud products.
- July 11th Executive Board Meeting 7 PM at 2949 Willowcreek Rd, Portage
- July 19th Committees Meeting at 2949 Willowcreek Rd, Portage 7:00 PM
- July 28th Membership Meeting at 208 South Linda Street, Hobart IN 7:00 PM
- August 4th Set Up Club Booth at Lake County Fair 9 PM
- August 5th – 8th Club Booth at Lake County Fair 10 AM – 10 PM
- August 16th Committees Meeting at 2949 Willowcreek Rd, Portage 7:00 PM
- August 25th Membership Meeting at 208 South Linda Street, Hobart IN 7:00 PM
- August 27th Club Picnic at Post 260, 5675 Mulberry St. Portage IN 46368 12 Noon
- September 20th Committees Meeting at 2949 Willowcreek Rd, Portage 7:00 PM
- September 22nd Membership Meeting at 208 South Linda Street, Hobart IN 7:00 PM
PM Program Favorite/Least Favorite tools
- October 3rd Executive Board Meeting at 7 PM at 2949 Willowcreek Rd, Portage
- October 18th Committees Meeting at 2949 Willowcreek Rd, Portage 7:00 PM
- October 27th Membership Meeting at 208 South Linda Street, Hobart IN 7:00 PM
- November 15th Committees Meeting at 7:00 PM
- November 17th Membership Meeting at 208 South Linda Street, Hobart IN 7:00 PM
PM Toy Program
- December 13th Committees Meeting at 2949 Willowcreek Rd, Portage 7:00 PM
- December 15th Membership Meeting at 208 South Linda Street, Hobart IN 6:00 PM
PM Christmas Party, Installation and Awards

Removing Oil and Grease Stains

If the oil or grease stain is fairly fresh on the wood, you may be able to remove it by scrubbing with an abrasive cleanser, such as Ajax or Comet.

But if the stain has been there for a while—for example, a can of motor oil that has leaked on a tabletop in a garage—this will probably not work.

Here's how to remove the stain.

First, wipe several times with a fast-evaporating solvent such as acetone to wipe off the surface oil.

Then, mix a little of the acetone together with some fuller's earth to make a paste. Fuller's earth is available as kitty litter and is the material car mechanics use to spread on the floor to soak up oil and grease.

With either of these, grind it to a powder if it isn't already powder. Then wet the affected area of the wood with the acetone and apply the paste of acetone and fuller's earth over it. Let it dry back to powder and clean it off. You may have to do this several times. You should notice an improvement each time as the fuller's earth sucks the oil or grease out of the wood.

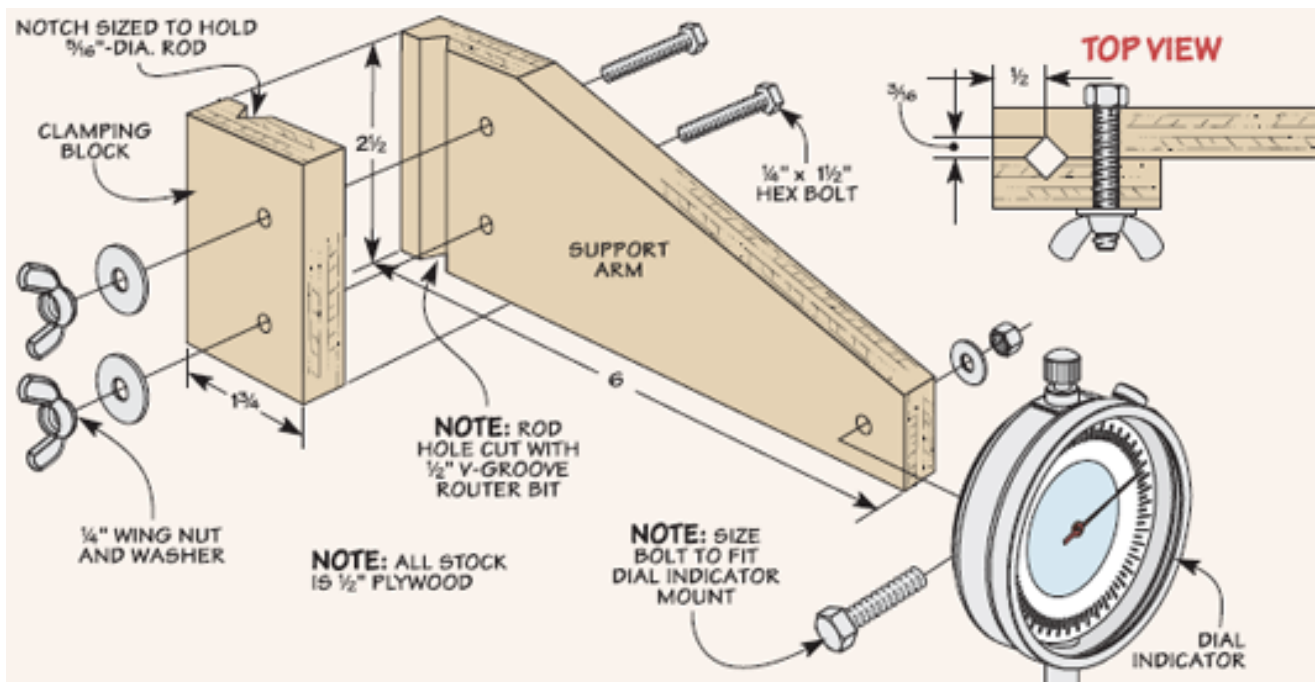
Table Position Jig

Whenever I tilt my drill press table for angled drilling, I struggle to get the table squared up again using just my square. To help me do this with a lot more precision, I built the drill press table positioning jig shown in the photo below. It's easy to build and accurate to use.



The jig is simply a dial indicator attached to a plywood arm (see drawing). The arm is clamped to a set-up rod that can be chucked in the drill press. You can use any $\frac{5}{16}$ "-dia. rod. (I used an old drill bit).

To square the table, just slip the set-up rod in the chuck of your drill. Then raise the table until it just slightly depresses the extended indicator point. Next, rotate the chuck by hand (don't turn on the power) and watch for movement of the needle on the dial. The table is square when the reading on one side of the table is the same as that on the other side of the table.



The jig takes only a few minutes to set up. And it's more accurate than using your square.

Good woodworking,

Phil Huber
Editor, *ShopNotes*