

WOOD CHIPS



Northwest Indiana Woodworkers Association

Volume 27, Issue 7 July 2022

President's Ramblings

Greetings Fellow Woodworkers, July is almost over and August is coming fast. The extreme hot weather is upon us and we all need to take precautions and stay hydrated in the shop! The Antique Tractor Show at the Lake County Fairgrounds was a success. Thank you everyone that came out and helped and I can't forget all the items that were donated to make this work. Without YOU it would not have been such a success. If you donated a project or item to sell at the show please sign up for the Awards Program to receive credit.

Now we have to get ready for the Lake County Fair. Set up is Thursday August 4th at 9 PM (this time may change and will be announced at the next meeting) and the Booth opens at 10 AM to 10 PM from Friday August 5th through Monday the 8th and take down will be at 9 PM on the 8th. There will be two shifts each day, a morning and evening that you can sign up for. Please consider an evening shift. We can always use the help whenever you can be there. Start thinking of what you want to display. Everyone is welcome to display your projects and come out and spend some time at the booth. Make sure you sign in at these events so you get the credit towards the Achievement Awards. Sign up sheets will be available at this coming meeting. Please we cannot break down too early on Monday evening, last year was way too early. Sign up sheet will be available.

Annual club picnic is Saturday **August 27th** not the 13th. Make Note of the Time Change to 1:00 PM at the Hobart Moose Lodge. Rain or shine we have a good facility that is accommodating. Doors will open at noon for setup and will officially open at 1. We will hold the picnic indoors this year.

Sunset Park, Fall Harvest Festival And Antique Equipment Show dates are set up Sept. 22 at 1 PM (TBD) and the show is Sept. 23 through Sept. 25 from 8:45 AM to 5 PM. Sign up sheet will be available.

We have the same issue as last year, most of the fantastic donated items are gone and we need to replenish them for the Sunset park Fall Harvest Festival And Antique Equipment Show! Anything you can donate will be greatly appreciated.

It's not too early to think about the toys for the needy children

Raffle Tickets, be sure to see John Fluck and purchase yours now and take some to sell to your friends and family.

Events:

1. Lake County Fair August 4th set up and Friday August 5th - Monday the 8th 10A to 10P.
2. Annual club picnic is Saturday **August 27th 1 P Moose Lodge**
3. Sunset Park, Fall Harvest Festival And Antique Equipment Show 9/ 22 at 1 PM (TBD) and 9/ 23 - 9/ 25 from 8:45 AM to 5 PM.

Consider scheduling a shop visit and get your 2023 dues paid by the club.

Enjoy this weather and Don't let your tools rust!

Your President, Kevin Sturgeon

SHOW AND TELL



Bill Schoech



Rodney Foster



Susan Bunce

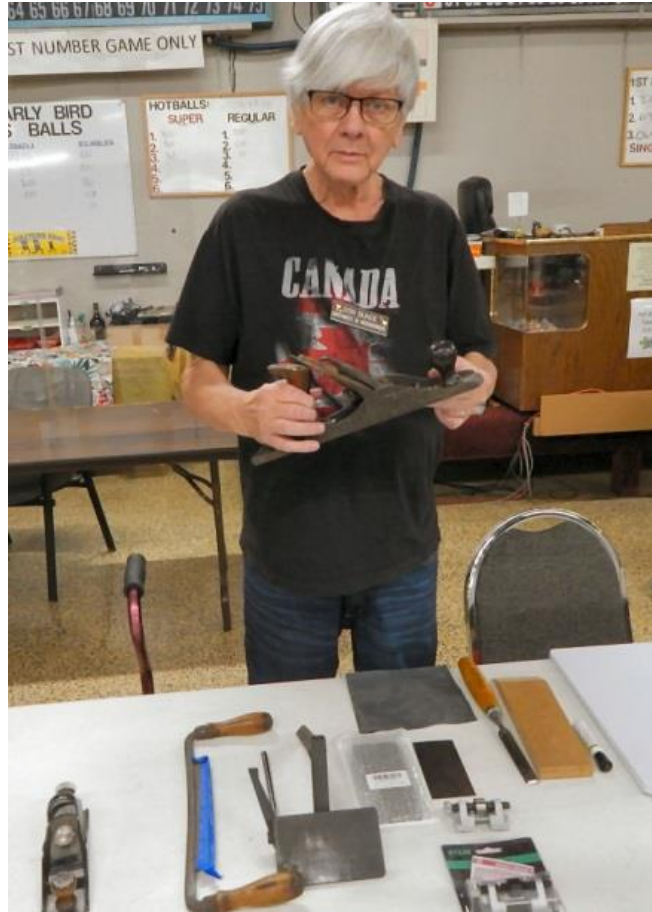
TRACTOR SHOW







PROGRAM



Don Bunce

ITEMS FOR SALE

If you have any wood working related items that you wish to sell through the newsletter please contact John Hunter john.b.hunter@frontier.com Include a description and the price you are selling them for, also how you may be contacted.

If you are looking for a tool that another member would like to sell you can place a wanted ad in the newsletter, just contact John Hunter at john.b.hunter@frontier.com

2022

June 23th Membership Meeting at Moose Lodge, 143 South Hobart Road, Hobart IN
7:00 PM

July 11th Executive Board Meeting 5 PM at Portage Moose Lodge on County Line Road

July 7th Set Up Club Booth at Steam Show 3 PM

July 8th – 10th Club Booth at the Steam Show at Lake County Fair Grounds

July 20th Committees Meeting at Moose Lodge, 143 South Hobart Road, Hobart IN
7:00 PM

July 28nd Membership Meeting at Moose Lodge, 143 South Hobart Road, Hobart IN

7:00 PM
August 4th Set Up Club Booth at Lake County Fair 9 PM
August 5th – 8th Club Booth at Lake County Fair 10 AM – 10 PM
August 17th Committees Meeting at Moose Lodge, 143 South Hobart Road, Hobart IN
7:00 PM
August 27th Club Picnic at Moose Lodge, 143 South Hobart Road, Hobart IN
12:00 Noon
August 19th Setup booth for Porter County Harvest Festival
August 20th – 21st Porter County Harvest Festival 11:00 AM to 5: PM
August 25th Membership Meeting at Moose Lodge, 143 South Hobart Road, Hobart IN
7:00 PM
September 14th Committees Meeting at Moose Lodge, 143 South Hobart Road, Hobart IN
7:00 PM
September 22nd Membership Meeting at Moose Lodge, 143 South Hobart Road, Hobart IN
7:00 PM Program Favorite/Least Favorite tools
September 22nd Setup booth at Sunset Park, Fall Harvest Festival
September 23rd – 25th booth at Fall Harvest Festival
October 3rd Executive Board Meeting 5 PM at Portage Moose Lodge on County Line Road
October 19th Committees Meeting at Moose Lodge, 143 South Hobart Road, Hobart IN
7:00 PM
October 27th Membership Meeting at Moose Lodge, 143 South Hobart Road, Hobart IN
7:00 PM
November 9th Committees Meeting at Moose Lodge, 143 South Hobart Road, Hobart IN
7:00 PM
November 17th Membership Meeting at Moose Lodge, 143 South Hobart Road, Hobart IN
7:00 PM Toy Program
December 7th Committees Meeting at Moose Lodge, 143 South Hobart Road, Hobart IN
7:00 PM
December 15th Membership Meeting at Moose Lodge, 143 South Hobart Road, Hobart IN
6:00 PM Christmas Party, Installation and Awards

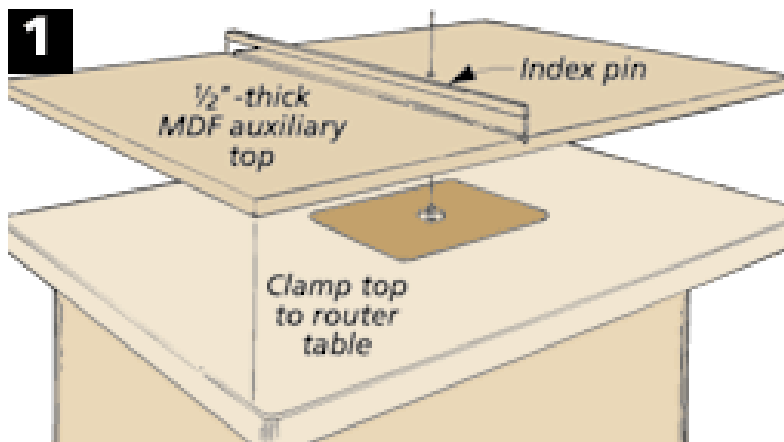
Woodsmith Tips

Router Table Indexing Jig

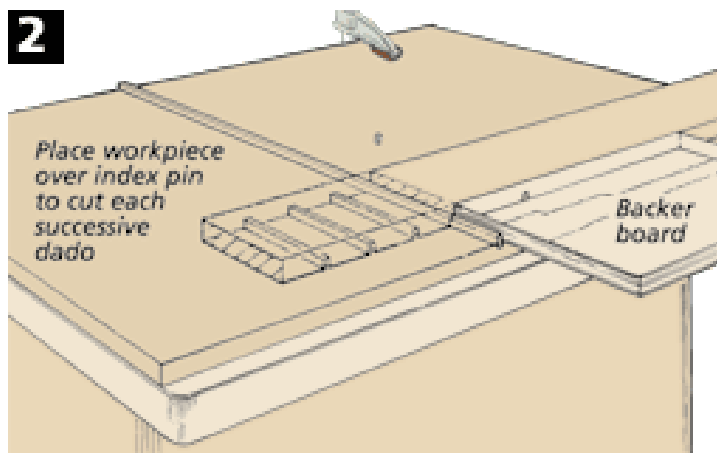


Recently I had to cut a series of evenly spaced dados across the sides of some small display shelves I was making. I wanted to make the dados on my router table, and I needed a way to space them evenly. That's when I came up with the idea for an auxiliary table fitted with an index pin as shown in the photo.

To make the auxiliary table, I started by cutting a piece of $\frac{1}{2}$ " MDF (medium-density fiberboard) that fit on top of my router table. Then I drilled a hole in the center of the MDF for a router bit.



Next I inset a strip of wood into the top to serve as an index pin for spacing the dados, see Figure 1. I made sure that the distance between the router bit and the index pin equaled the spacing I needed for my dados, then I clamped the top to my router table.



Now cutting evenly spaced dados is easy. Simply butt one of the workpieces against the index pin and push it forward with a backer block to cut the first dado. Now just shift the workpiece so the dado you just cut fits over the index pin and cut a second dado. Repeat this process until all the dados have been cut, as you can see in Figure 2.

Have a nice weekend,

Ted Raife
Online Editor, *Woodsmith*