

# WOOD CHIPS



Northwest Indiana Woodworkers Association

Volume 16, Issue 2 February 2012

## President's Corner

Hey Woodworkers, Last month the Carving Special Interest Group gathered before the monthly meeting. I hope you had as much fun as I did! We exchanged ideas. I brought in 10 practice boards for chip carving. Members experienced in chip carving helped the novices. We “sharpened our technique!” Bruce Johnston from Duneland Woodcarvers stopped in to talk about Duneland Woodcarvers Show on April 14 & 15. While he was here, he shared information important to new carvers. Safety is number one. Just as with any type of woodworking, the care of the tools is so important. Believe it or not, dull tools are more dangerous. Never carve when tired or distracted. Bruce brought in his finished carved hawk. It is remarkable. At one time members were so interested in what was going on, it was standing room only. With the information available, there were patterns for simple ornaments. Hopefully you have a chance to make a few to give to Nancy for the christmas tree display. This month we will be meeting again at 6pm before the monthly meeting. Bring your practice board if you want to work on it. A member suggested carving a star. This is a fun easy project. If you are a carver bring something you want to work on. Everyone, bring a heavy protective glove, carving tools if you have some. We’re gonna have some fun!

See you at the meeting!

Marcia Lichnerowicz

**Get Well Soon!** There has been a lot of sickness going around. Members and their families have had bouts of illness. Please keep them in your prayers for speedy recovery. Phil is feeling better. We hope to see his smile soon!



Carved by Bruce Johnston from Duneland Woodcarvers



Bruce Johnston

**Carving Special Interest Group** meets 6pm before the monthly meeting. Check out these pictures. You can carve too! Bring your carving gear and let's get started carving stars! Come anyway even if you are not a carver. January pattern was simple chip carved ornaments. If you made some, bring them in. They will be great for show n tell and give them to Nancy Distel for the Christmas tree!



**Don't miss the February Speaker** Within our club there are many talented individuals. Jesse Day will be speaking to us about Chair Weaving. This will be an interesting evening. Jesse has a vast woodworking knowledge!

**Jig Show and Tell.** Now is the chance to show off those jigs you used to make the job easier. Do not bring a jig that has been brought in before. We all like to see something new.

**Suggestions from Wally Richardson** the Executive Board is so happy to hear them. Last month one of our members, Wally Richardson, made some very good suggestions. Let me expand. All of us have used a product, followed a plan and even had an idea that

turned out to be a failure, kind of a “shop flop”. Well we can pass this on to each other so that the same mistake or “flop” isn’t repeated. This could be for example, how to set up a dust collection system efficiently. Many of us have tried and had to change things around thus spending more money. Why not share this information. You know what works best and what didn’t. Wally’s second suggestion was to ask members to bring in and demonstrate their clamping technique for a project. It great to know you have the right clamp, using it for its maximum effect and have enough clamps for the project...What...we NEVER have enough clamps! Wally’s third suggestion was to have jigs brought in on a regular basis so we can learn about how useful jigs are in everyday woodworking. Think about this and let’s make it happen!!!

**Toys, Toys, Toys** Did you hear the news? Claudia & Skip are Co Chairing the Toy Committee this year. They have plans and we all can work together to make this year a GREAT success!

**Tables Available** Duneland Woodcarvers has opened their show to intarsia, bowls, pens, marquetry, scrollsawing, & gourd carving. The date of this show is April 14 & 15. There will be applications at the February meeting. If you have questions if there is something that you want to sell please contact: [showchairman@dunelandwoodcarvers.com](mailto:showchairman@dunelandwoodcarvers.com)

## SHOW AND TELL



Chuck Norrman





Jon Robbins



Bob Rinearson



Jesse Day



Joe Jurisa



Mick King



Ken Garbe



Gene Davis



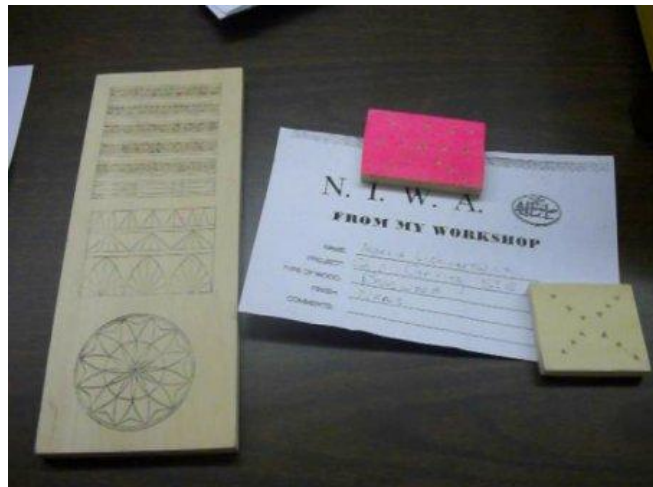
Joe McDaniel



Max Herrick



John Hunter



Marcia Lichnerowicz



Mike Clark



Frank Berzinis

### ITEMS FOR SALE

If you have any wood working related items that you wish to sell through the newsletter please contact Lalo Gonzalez [LaLogon@sbcglobal.net](mailto:LaLogon@sbcglobal.net) or John Hunter [john.b.hunter@frontier.com](mailto:john.b.hunter@frontier.com) Include a description and the price you are selling them for, also how you may be contacted.

### CALENDAR OF EVENTS

**2012**

- February 23<sup>rd</sup> Membership Meeting at Hidden Lake 7:00 PM Shop Jigs & Jesse Day  
Chair Weaving
- March 20<sup>th</sup> Committees Meeting at Hidden Lake 7:00 PM
- March 22<sup>nd</sup> Membership Meeting at Hidden Lake 7:00 PM Garry Graves Kreg Jigs
- April 2<sup>nd</sup> Executive Board Meeting at Portage Library 7 PM
- April 17<sup>th</sup> Committees Meeting at Hidden Lake 7:00 PM
- April 26<sup>th</sup> Membership Meeting at Hidden Lake 7:00 PM 2 x 4 Challenge
- May 15<sup>th</sup> Committees Meeting at Hidden Lake 7:00 PM
- May 24<sup>th</sup> Membership Meeting at Hidden Lake 7:00 PM
- June 19<sup>th</sup> Committees Meeting at Hidden Lake 7:00 PM
- June 28<sup>th</sup> Membership Meeting at Hidden Lake 7:00 PM
- July 2<sup>nd</sup> Executive Board Meeting at Portage Library 7 PM
- July 17<sup>th</sup> Committees Meeting at Hidden Lake 7:00 PM
- July 26<sup>th</sup> Membership Meeting at Hidden Lake 7:00 PM
- August 2<sup>nd</sup> Set Up Club Booth at Lake County Fair 9 PM
- August 3<sup>rd</sup> – 6<sup>th</sup> Club Booth at Lake County Fair 10 AM – 10 PM
- August 21<sup>st</sup> Committees Meeting at Hidden Lake 7:00 PM
- August 23<sup>rd</sup> Membership Meeting at Hidden Lake 7:00 PM

August 26<sup>th</sup> Club Picnic at Hidden Lake Park 12 Noon  
September 18<sup>th</sup> Committees Meeting at Hidden Lake 7:00 PM  
September 27<sup>th</sup> Membership Meeting at Hidden Lake 7:00 PM  
October 1<sup>st</sup> Executive Board Meeting at Portage Library 7 PM  
October 16<sup>th</sup> Committees Meeting at Hidden Lake 7:00 PM  
October 25<sup>th</sup> Membership Meeting at Hidden Lake 7:00 PM  
November 20<sup>th</sup> Committees Meeting at Hidden Lake 7:00 PM  
November 15<sup>th</sup> Membership Meeting at Hidden Lake 7:00 PM Toy Program  
December 18<sup>th</sup> Committees Meeting at Hidden Lake 7:00 PM  
December 20<sup>th</sup> Membership Meeting at Hidden Lake 7:00 PM Christmas Party,  
Installation and Awards

### **Bob Flexner's Finishing Tips**

<http://www.thefinishingstore.com/>

## **TIP: Water-Based Finish Over Oil Stain**

If you want to use an oil stain and apply a water-based finish over it, the best practice is to let the oil stain dry thoroughly before applying the finish—for at least several days and maybe a week in a warm room.

Oil stains vary in how fast they dry, so the only way to know how long to wait is to test on scrap wood.

Two problems can occur if the oil stain hasn't fully cured. The first is that the water-based finish wrinkles. The second is that the water-based finish doesn't bond well, so it peels easily, especially if knocked.

Depending on how the oil stain and the water-based finish are made (the amount of oil in the stain and solvent in the finish), you can sometimes get a good bond applying the water-based finish before the oil stain has fully cured. But you'll have to learn whether or not you can do this by trial-and-error on scrap wood.

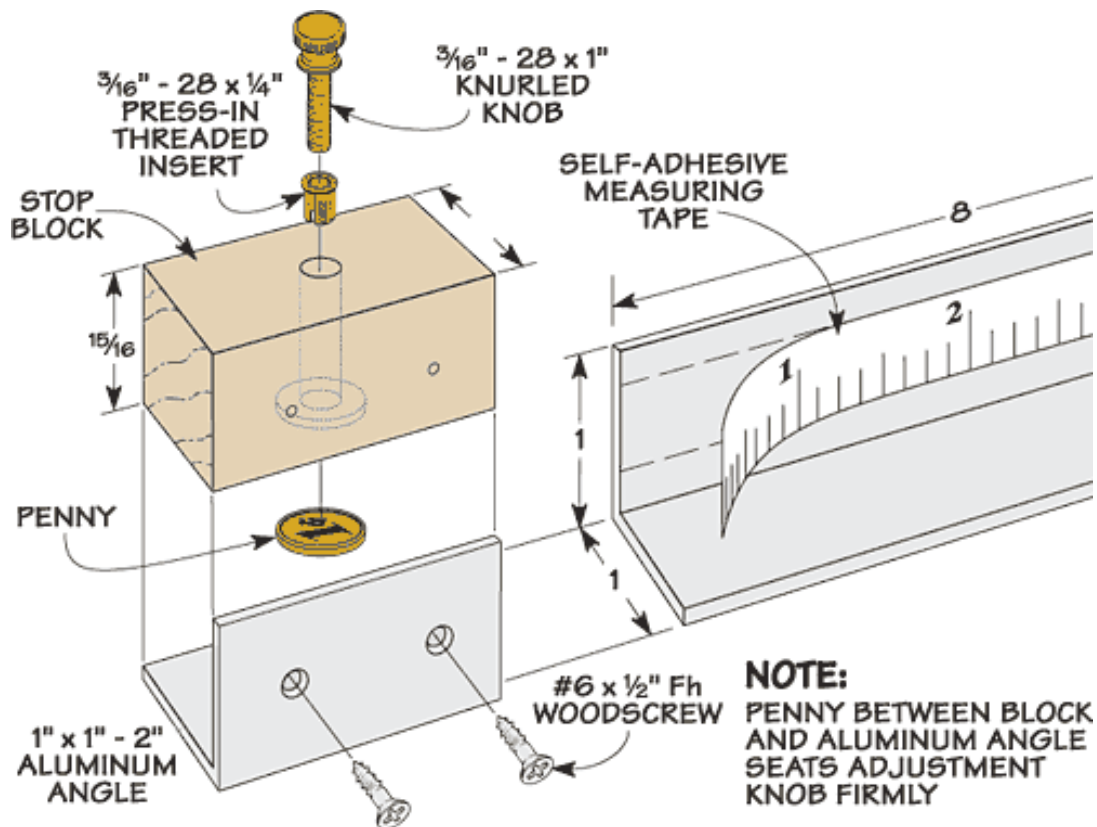


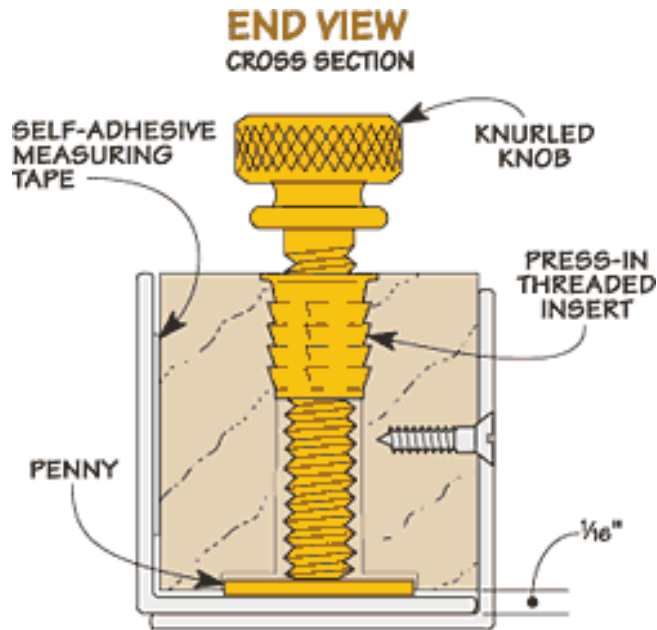
## Shop-Made Set-up Gauge



Locating the depth of drill bit collars, determining the length of dowels, or accurately setting the cutting depth for tools can be challenging. To make this task easier, I built the set-up gauge shown in the photo at right.

The gauge frame is simply a piece of 1" x 1" aluminum angle. To this I added a second piece of shorter aluminum angle with a wood stop block attached, like you see illustrated in the drawing below.





A threaded insert on the top of the wood block accepts a brass knurled knob that's used to set the tool. Adding a penny in the bottom fills in the space so the knob can be tightened firmly and accurately. Finally, stick a length of self-adhesive rule to the inside and you're set to go.

Good Woodworking,

Phil Huber

Online Editor, *ShopNotes*

## HUMOR

Employment Standards determined a small woodworking shop owner was not paying proper wages to his help and sent an agent out to interview him.

"I need a list of your employees and how much you pay them," demanded the agent.

"Well, there's Jake my finisher who's been with me for 3 years, I pay him \$900 a week.

The apprentice Tom has been here for 6 months, and I pay him \$500 a week.

Then there's the half-wit that works here about 18 hours a day. He makes \$10 a week and I buy him a case of beer every Friday," replied the owner.

"That's the guy I want to talk to; the half-wit," says the agent."

The owner says, "That would be me."