

WOOD CHIPS



Northwest Indiana Woodworkers Association

Volume 15, Issue 8 August 2011

President's Corner

Hi fellow woodworkers, The Lake County Fair Project was a great success. Many of our members joined together in the booth promoting the Club and having a good time. My thoughts were with you all. I was lucky enough to be able to attend also. My plane from Florida landed Saturday and we came right to the fair. The booth looked super! There were 4 members present greeting the fair visitors answering questions. I couldn't help cutting a few items on the scroll saw to give away. I was told that pens were being turned on the lathe and given away. The belt holders that were given out in the past are still a hit. I want to thank John Hunter and Charlie Morris for co-chairing the program. They were there every day of the fair program so that a board member was accessible if needed. They also took care of those behind the scenes things. Thank you also to their wives. Thank you to Ron Benson & Denny McCool for lending their scroll saw and lathe. Demonstrations always spark interest in woodworking. Thank you to the many many members who participated at the booth and also those worked behind the scenes. For those who tried to make it to the fair and fate stepped in, thank you also for efforts. We are a great Club! All comments and suggestions are welcome. Please email or call me. If you took pictures bring copies for our historians Art and Helen Willing.

Come to the PICNIC. This is always a fun time Sunday after the meeting, August 28, @ 1200pm Hidden Lake. This is a good time to hang out with members and their families. We are lucky...Fred is bringing the BBQ wagon. I am sure he has a surprise planned, he always does!

Don't forget August Speaker is Gary Graves from Kreg Jigs. This is a great product. See what's new from Kreig.

Deadline for Christmas ornaments is coming up soon. We want our tree full at the welcome center on Kennedy Ave and 94. See Nancy Distal for details.

Well gotta go pack the truck. I am off to the Carver's Summer Camp in Bremen Indiana. I will be camping with the president of Duneland Woodcarvers and whoever else decides to come. Hope I see you there August 17-20. It's a lot of fun. If you miss it this year, maybe next year.

Make some fine sawdust!
Marcia Lichnerowicz

IMPORTANT MEMO: I think I smelled a touch of fall in the air...oh no that's not it...It's all the wood for lathe projects being burnt in campfires at the Dunes campground. Not long ago I was looking at a

piece of wood given to me. It is a fine piece of sassafras with its coat on (bark). You can't imagine how many friends wanted to take this piece of "firewood" to burn. Guard your prize wood. These well meaning friends are everywhere and they may walk into your shop looking for campfire wood. I would advise you to put a sign "No Campfire Wood Here!" on the door of your shop.

SHOW AND TELL



Ron Benson



Lou Takacs



John Hunter



Mick King



Dick Sader



Denny McCoole



Ron Benson



Max Hernick



Bob Rinearson



Joe Mazrimas



Lalo Gonzalez

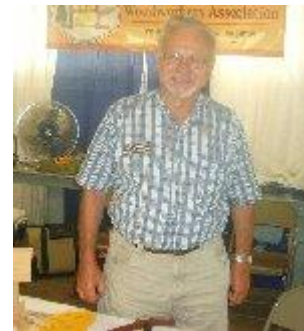


Lalo Gonzalez



Jesse Carrillo

LAKE COUNTY FAIR





FIELD TRIP

Saturday September 24th! The club will have a field trip to Sindelar Fine Tool Museum <http://www.sindelartoolmuseum.com/> near Edwardsburg Michigan. (Just north of South Bend) One group will meet at the Highland Welcome Center on the Kennedy Expressway at 8:00 AM take I90 to Chesterton Exit to meet members from that area at 8:30 AM behind Speedway in K-Mart parking lot. The group will travel South on Highway 49 to the Toll Road entrance and head East to South Bend. Detailed directions are available at the Sindelar web site and copies will be provided to all vehicles the day of the field trip. By car pooling we can save on gas and toll costs.

The cost, since we are going as a group, will be \$10.00/person and each person will receive a Free \$10.00 value calendar for the wall in their shop. I have a copy and this is a very nicely done calendar. I talked to John Sindelar and I'll finalize with him, after the Sept meeting, on the number attending, so he can arrange a private tour for our group.

Signup at the August and September meetings for this field trip.

Please plan on attending this Club Event on Sept. 24th.

Lou Takacs

CLUB PICNIC REMINDER

Just a reminder that if you are planning on attending the annual picnic on August 28, 2011 at Hidden Lake Park, shelter #2 off the parking lot near club house, we will need your \$2 parking fee per person to be paid no later than our August 25th meeting.

I would appreciate a call ahead of the meeting to better plan how much meat will need to purchase for those attending. 219-926-5966 or claudia35@frontier.com

We will be playing "white elephant bingo", so bring any items you don't need any more wrapped in newspaper. Use your imagination.

Bring a dish to pass or a dessert, the club will furnish the meat, bread, and drinks as well as the plates, cups and plastic ware.

See you then!!!!

Claudia and Skip

AUGUST MEETING SPEAKER LAST MINUTE CHANGE

The featured speaker for our August 25th meeting was to be Gary Graves a representative of Kreg Jigs. <http://www.kregtool.com/> However he just cancelled! Kreg will be back for our March 2012 meeting. Filling in is a Chris Salberg a lady we met at our booth at the Lake County Fair. Chris will put on a presentation on Blue Birds and especially what they need if you are building a Blue Bird House.

ITEMS FOR SALE

If you have any wood working related items that you wish to sell through the newsletter please contact Lalo Gonzalez LaLogon@sbcglobal.net or John Hunter john.b.hunter@frontier.com Include a description and the price you are selling them for, also how you may be contacted.

20" CRAFTSMAN SCROLL SAW FOR SALE

Member Mike Clark has a 20" Sears Scroll Saw for sale; asking \$120. Comes with a beginner's workbook, the original Operators Manual, several packs of blades. Works well. Letting it go because I bought another.

Thanks,

Mike Clark
219-926-6372



CALENDAR OF EVENTS 2011

- August 25th Membership Meeting at Hidden Lake 7:00 PM Kreg Jigs
August 28th Picnic at Hidden Lake 12 Noon
September 14th (Wednesday) Committees Meeting at Hidden Lake 7:00 PM
September 22nd Membership Meeting at Hidden Lake 7:00 PM
October 3rd Executive Board Meeting at Portage Library 7 PM
October 18th Committees Meeting at Hidden Lake 7:00 PM
October 27th Membership Meeting at Hidden Lake 7:00 PM Finishing Lou Takacs
November 15th Committees Meeting at Hidden Lake 7:00 PM
November 17th Membership Meeting at Hidden Lake 7:00 PM Toy Program
December 20th Committees Meeting at Hidden Lake 7:00 PM
December 22nd Membership Meeting at Hidden Lake 7:00 Christmas Party, Installation and Awards

Bob Flexner's Finishing Tips

<http://www.thefinishingstore.com/>

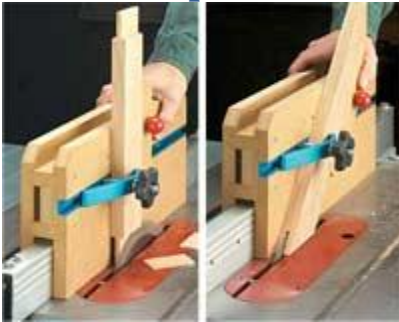
TIP: Remove Crayon and Candle Wax

Mineral spirits, naphtha and turpentine dissolve wax and don't damage any finish when used sparingly. So remove wax crayon marks by wiping over them with a cloth dampened with one of these solvents. Candle drips are usually too thick to be removed easily with one of these solvents, though the solvents will work eventually. It's much faster to freeze or scrape off most of the wax and then clean up any remainder with solvent.

To freeze a wax drip, hold an ice cube on it for a short time. Then pop off the wax with your fingernail. To scrape wax, use a credit card or any hard-edged utensil or tool, but be careful not to cut into the finish.

You can also use a blow dryer or heat gun to soften the wax and then slowly wipe it off. But be especially careful with a heat gun because it can blister the finish. Clean up any remaining wax residue with one of the solvents.

Multi-Purpose Fence Sled

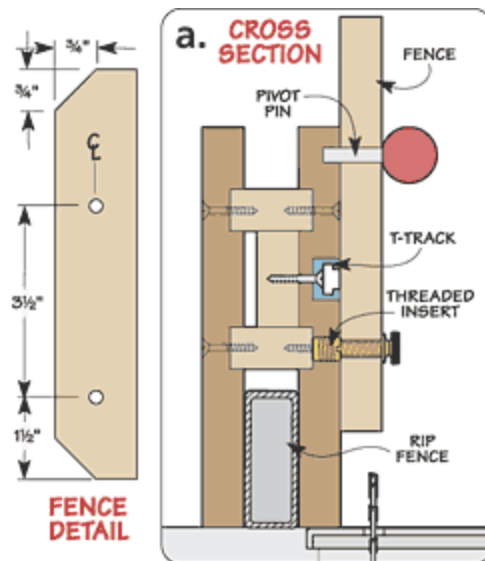


When it comes to cutting tenons on the end of a workpiece, I usually use the table saw fitted with a dado blade. The problem with this method is that the cheeks of the tenons can end up pretty rough.

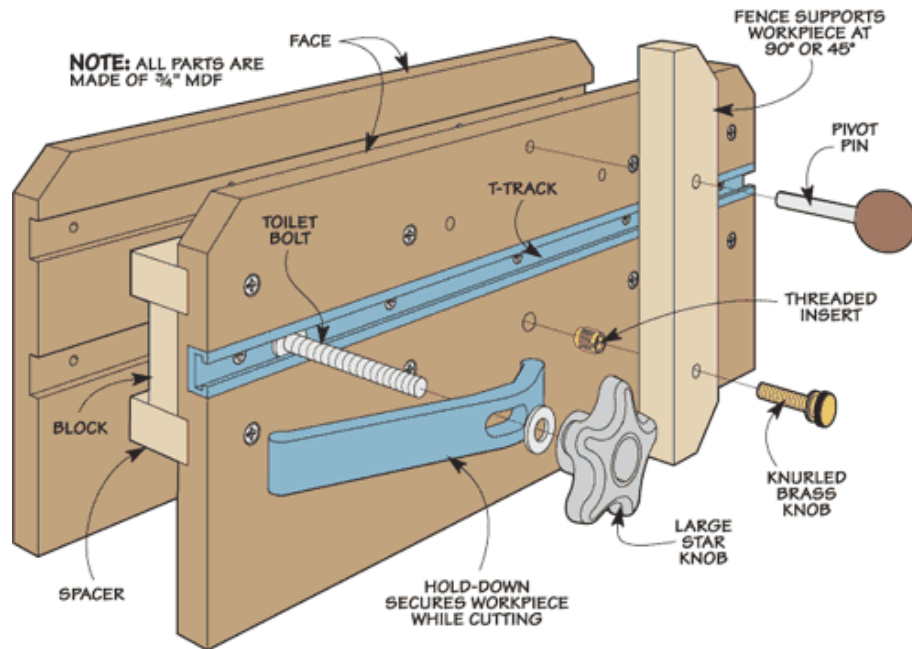
To get tenons with smooth cheeks, you can use a standard blade and hold the workpiece on end. But, for this to work, you need a good way to control the workpiece and keep it from tipping.

To do this, I made a sled that rides on the rip fence, as you can see in the photo at right. This sled not only works great for cutting tenons, but I found that it can be used to cut spline grooves in miter joints as well.

Building the Sled



Best of all, the sled doesn't take much material or hardware to build. As you can see in the drawing below, the main section of the sled is a pair of $\frac{3}{4}$ " MDF faces that straddle the rip fence. A groove in the front face holds a length of T-track. The two faces are held together by a pair of spacers that are glued and screwed into shallow grooves, as in detail 'a'. I also glued a block behind the front face to give the screws for the T-track something to bite into.



Pivoting Fence

To support the workpiece, I made a fence out of MDF. It's fastened on the lower end by a knurled brass knob. The top end can pivot to support either square or mitered workpieces. I drilled three holes to hold a pivot pin. Then to hold the workpiece secure while cutting, I attached a hold-down with a toilet bolt, washer, and knob.

Good Woodworking,

Phil Huber
Online Editor, *ShopNotes*

HUMOR

Seventy year old Martha woke her husband, seventy-five year old George from his nap on the sofa.

"There is a truck backed up to your shop and thieves are loading up your tools." she told him in a frightened voice.

He immediately looked out the window, then phoned the police.

The police informed him that it was Saturday night and they were really busy but would have an officer over to his place as soon as one was available, probably in about half an hour. He was advised to stay inside the house with the doors locked until they got there.

He hung up the phone, waited about a minute and called back.

"This is the fellow that just called about the thieves stealing his tools, don't hurry, I just shot them."

Three minutes later an ambulance and two police cars arrived and the burglars were caught red-handed.

"What is going on here?" asked one of the officers, "We were informed that you had shot them."

"Yeah, and I was informed that nobody was available." Old George replied.