

WOOD CHIPS



Northwest Indiana Woodworkers Association

Volume 22, Issue 4 April 2017

President's Ramblings

Greetings Fellow Woodworkers, Wow what a month this has been, so much to do and so little time! April is here and we have completed another very successful Duneland Woodcarvers Show. This was their 41st year. What a blast, thanks to Jon Robins, for his displays that made our booth look so professional. We had a good turnout of volunteers to man the booth, thank you everyone that was there. Ron Benson did a GREAT JOB again at the show and sold many Educational raffle tickets. I turned many give a way pens to go with the raffle tickets.

I have just completed a week long class in Marquetry at Marc Adams school in Franklin Indiana. I am so thankful to have had the opportunity to attend this class. I know my woodworking skills have improved tremendously. I will have the three projects that I completed in this show and tell.

We have another event coming up! South Lake County Historical Society 33rd annual show. This is held at the Lake County Fair Grounds in the Arts and Crafts building (same as the fair but along the north wall) this July 7th, 8th, and 9th the building will be open from 9 am to 5 pm. The goal for this event is to advance our club in the community, gain more members and sell more EDUCATIONAL RAFFLE TICKETS. We will have to start ordering more supplies so we can build toys for the children at Christmas, and the raffle is how we fund this. We did great at The Duneland Caver show and I would like to repeat this at this event. So I have a request to all of our turners, can you please turn a couple of pens to give away with 5 raffle tickets. We will have the Slim line kits available for anyone who wants to participate. If we each turn 2 kits we should have enough for the event and make extras for the Fair. They don't have to be anything special, whatever kind of scrap wood you have available will do. Also a sign-up sheet will be started for those that can attend and help man the booth.

2X4 Challenge is this Thursday's meeting. This is your chance to show off what you can do with a single 8 foot 2x4. This can be quite a challenge. I have used You Tube in the past as a source for great ideas for the challenge. Let's see what YOU CAN DO.

Program for April will be Dick Sader. Dick always puts on a great, well thought out presentation.

Club Events: Road Trip: Norm Johnson has set up a field trip to Scott Phillips shop!
901 Piqua Troy Rd., Piqua, OHIO 45356

For those who want to attend there is a signup sheet so Norm has an idea of how many of us will be attending.

Be warned that some navigational programs will take you 7 miles south of that to Troy Ohio. My shop is in Piqua. The fastest way to my shop is to take interstate. You can come across on state Route 36 but it is actually slower. So here are the details:

Exit from interstate 75 N. from Dayton on County Road 25A. That is at mile marker 78.

Turn left or go north northeast on County Road 25A. Towards Piqua.

Turn right at the first traffic light. That is Peterson Road. Drive across a great Miami river bridge and go to the first stop sign and turn left. That is Piqua Troy Road.

Drive 2.1 miles on Piqua Troy Road and enter Piqua city limits. Once entering Piqua city limits, the very first building you come to is my woodshop. It is in the middle of nowhere. It has a green metal roof with a solar array on it! It is offset from the road 190 feet. Look for the Stonewall. And the American flag. Big sign on the front gable too!

For the Pen Turners: 2017 Chicago Pen Show, May 5-7, Noon – 5:30 pm Friday, 9 am – 5:30 pm Saturday and 9 am – 4 pm Sunday \$5 for Fri, \$10 Sat or Sun. See the Web site for more information. chicagopenshow.com

2017 Dues are Due! Why wait for the last minute, Be an Early Bird and receive a credit to the Achievement Award program

I am looking for some help! We need someone to step up and chair a couple of committees. The first committee that is open is the Christmas dinner Chair and the second post is the Parliamentarian. Jon Robbins has done a fantastic job at this post over the years but he will no longer be able to perform these duties now that he is Vice President. If you have any questions about this post please contact me and we can discuss what is involved with chairing either post.

Enjoy this weather and don't let your tools rust!

Your President, Kevin Sturgeon

From the Treasurer

Fellow woodworkers; May is the month that your dues are due. Still only \$25.00. So far only 29 members are paid up. Your club dues help to pay the bills for running the club. Secondly, our club raffle is ongoing now. This program helps the club to buy much needed supplies for our toy program and other expenses. At the Carvers show, we sold a number of tickets, but still need to sell more. Club members are asked to help buy picking up some tickets to sell or buy. You can get some buy seeing Ron or Jon Robbins at the meeting night, or call Ron at 219-762-8416 and I can send some out to you. Your participation is greatly needed. The toy program is in need of many supplies for making toys. This will cost several hundred dollars to purchase them. Thank you Ron Benson

DUNELAND CARVER'S SHOW





SHOW AND TELL



Kevin Sturgeon



Norm Johnson



Bill Schoech



Ron Benson



Jon Robbins



John Hunter



Ken Garbe

PROGRAM



Denney McCoolle demonstrating the use of a vacuum chuck

ITEMS FOR SALE

4 sets of 13" Delta Planer Knives, professionally sharpened, fits old style floor mounted planer \$15.00 each

GE Magnetic Starter – NEMA Size 1 – 3 Pole – 3 Overloads – Type 1 Enclosure – Coil 115-120 volt 60 cycle – New

Clark Starter - NEMA Size 1 – 3 Pole – 3 Overloads – Type 1 Enclosure – Coil 208-220 volt 60 cycle – Used

GE Magnetic Starter – NEMA Size 1 – 3 Pole – 3 Overloads – Type 1 Enclosure – Max HP 2 – Max Amps 27 – Coil 115-120 volt 60 cycle – New

I have a number of new electrical items for sale. Starters, push buttons, reverse switches, disconnects, and others, also motors, some new, ¼ HP and up. Call or stop by the shop. Al Kalos 962-4812

If you have any wood working related items that you wish to sell through the newsletter please contact John Hunter john.b.hunter@frontier.com Include a description and the price you are selling them for, also how you may be contacted.

If you are looking for a tool that another member would like to sell you can place a wanted ad in the newsletter, just contact John Hunter at john.b.hunter@frontier.com

CALENDAR OF EVENTS

2017

April 27th Membership Meeting at 208 South Linda Street, Hobart IN 7:00 PM
2 x 4 Challenge

May 15th Committees Meeting at 2949 Willowcreek Rd, Portage 7:00 PM

May 25th Membership Meeting at 208 South Linda Street, Hobart IN 7:00 PM

June 19th Committees Meeting at 2949 Willowcreek Rd, Portage 7:00 PM

June 22nd Membership Meeting at 208 South Linda Street, Hobart IN 7:00 PM

July 10th Executive Board Meeting 7 PM at 2949 Willowcreek Rd, Portage

July 17th Committees Meeting at 2949 Willowcreek Rd, Portage 7:00 PM

July 27th Membership Meeting at 208 South Linda Street, Hobart IN 7:00 PM

August 3rd Set Up Club Booth at Lake County Fair 9 PM

August 4th – 7th Club Booth at Lake County Fair 10 AM – 10 PM

August 21st Committees Meeting at 2949 Willowcreek Rd, Portage 7:00 PM

August 24th Membership Meeting at 208 South Linda Street, Hobart IN 7:00 PM

August 26th Club Picnic at Hidden Lake Park in Merrillville

September 18th Committees Meeting at 2949 Willowcreek Rd, Portage 7:00 PM

September 28th Membership Meeting at 208 South Linda Street, Hobart IN 7:00
PM Program Favorite/Least Favorite tools

October 2nd Executive Board Meeting at 7 PM at 2949 Willowcreek Rd, Portage

October 16th Committees Meeting at 2949 Willowcreek Rd, Portage 7:00 PM

October 26th Membership Meeting at 208 South Linda Street, Hobart IN 7:00 PM

November 13th Committees Meeting at 2949 Willowcreek Rd, Portage 7:00 PM

November 16th Membership Meeting at 208 South Linda Street, Hobart IN 7:00
PM Toy Program

December 18th Committees Meeting at 2949 Willowcreek Rd, Portage 7:00 PM

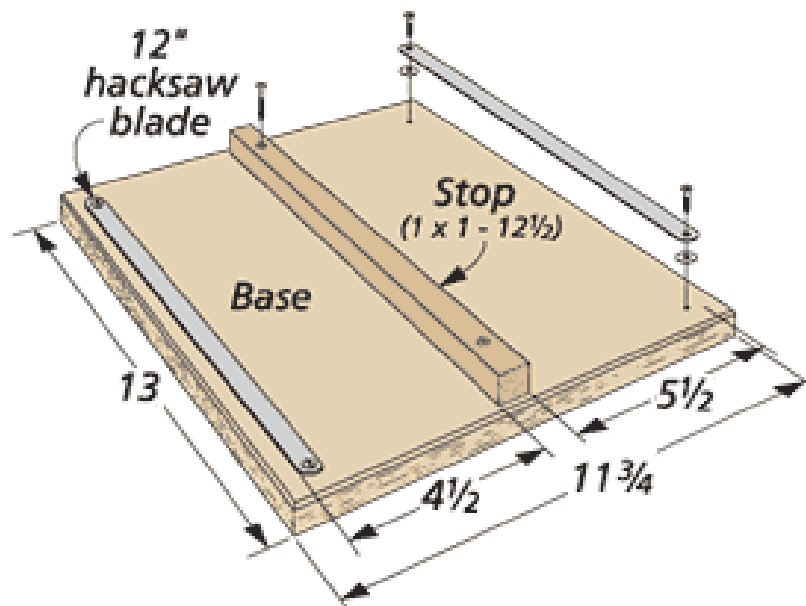
December 21st Membership Meeting at 208 South Linda Street, Hobart IN 6:00
PM Christmas Party, Installation and Awards

Sandpaper Cutter

Standard sandpaper comes in 9" x 11" sheets. But this is rarely the size that I need. Most often, I end up dividing a sheet into smaller pieces to fit my sander or a sanding block. For a long time, I made do with simply folding the sandpaper and then tearing it. But this crude method often gave me less than satisfactory results. So I decided to come up with a more reliable way to do the job.



The sandpaper cutter in the drawing at right is the fruit of my efforts. A hacksaw blade attached to each side of a plywood base acts as the cutter. A thin washer at either end of the blade spaces it just above the base. Then an off-center length stop fastened to the base gives me a couple of size options for my cuts.



To cut a sheet to size, you slide it under the hacksaw blade against the stop and tear. The cuts are quick, clean, and accurate. It's a great solution to a common problem.

Good Woodworking,

Ted Raife
Online Editor, *Woodsmith*